

PEDESTAL ROLLER  
FAIRLEAD

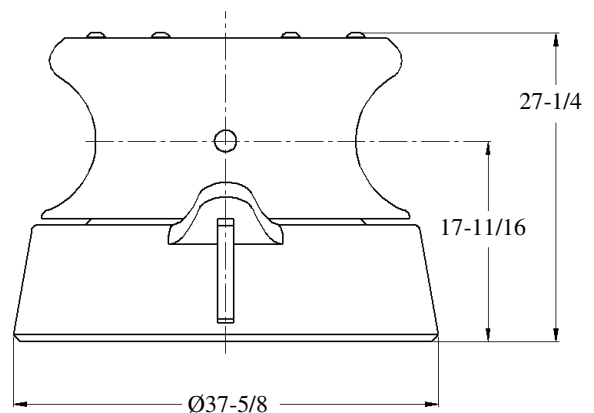
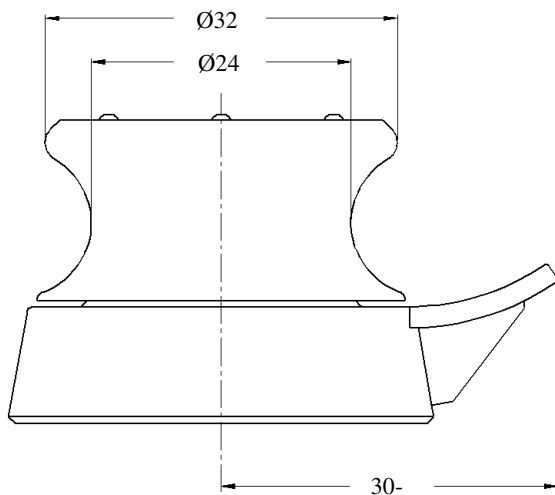
**PFH-24**

#### STANDARD FEATURES

- Designed for Maximum SWL of 330MT per OCIMF Recommendations
- Heavy Duty Cast Steel Construction
- Grease Lubricated Bronze Bearings
- Heat Treated Roller for Longer Life
- Weld Down Mounting Base
- Epoxy Primer Coating

#### OPTIONAL FEATURES

- Customized Design to Suit Your Application
- Custom Mounting Bases
- Three Coat Marine Paint System
- Third Party Certification



WEIGHT: 1,900 LBS

\* DIMENSIONS SUBJECT TO CHANGE WITHOUT NOTICE\*

**Smith Berger Marine, Inc. - Mooring & Towing Solutions**

7915 10<sup>th</sup> Ave. S., Seattle, WA 98108 USA

Tel. 206.764.4650 - Toll Free 888.726.1688 - Fax 206.764.4653

E-mail: [sales@smithberger.com](mailto:sales@smithberger.com) - Web: [www.smithberger.com](http://www.smithberger.com)